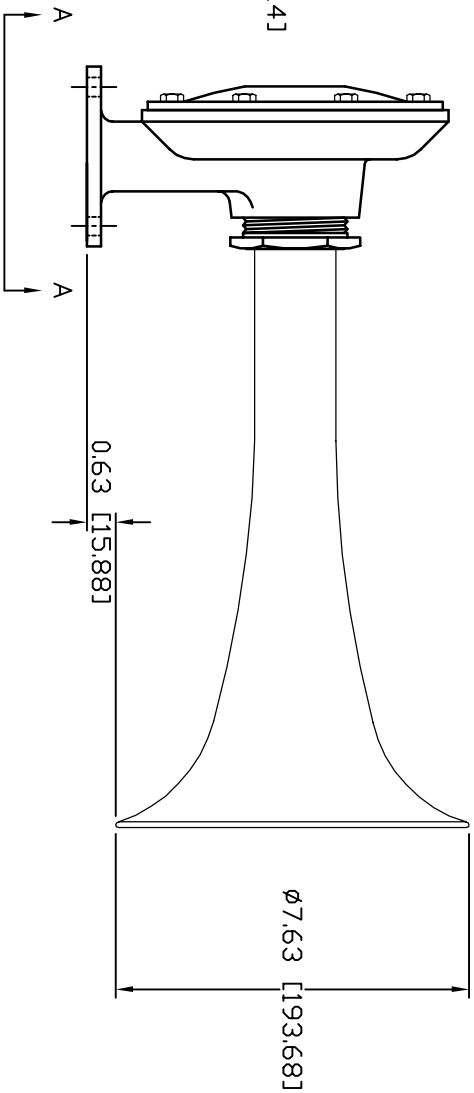
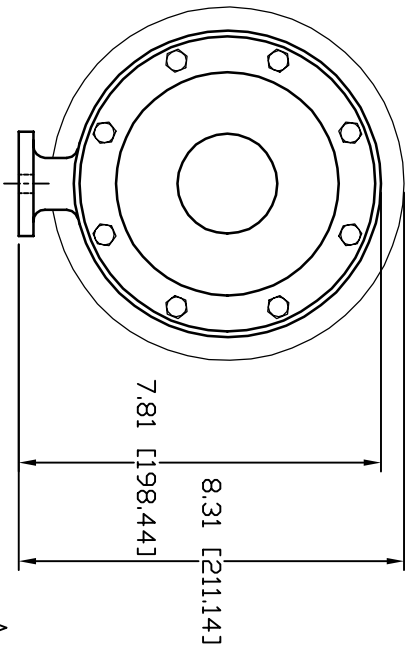
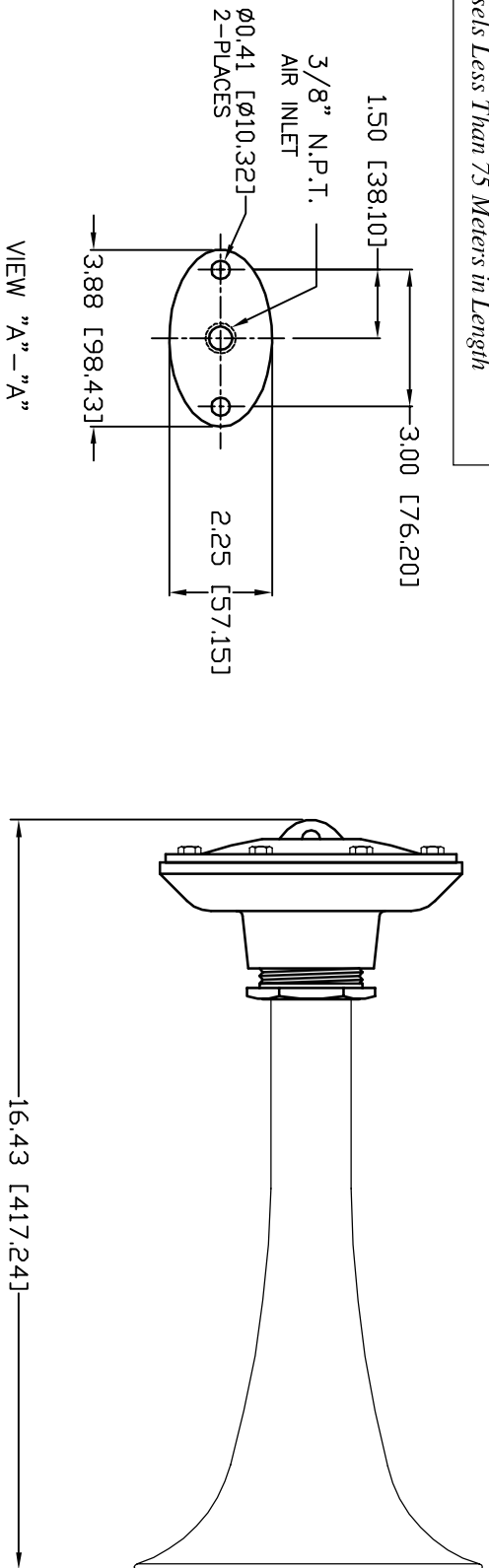


Conforming to International Maritime Regulations
For Vessels Less Than 75 Meters in Length



TECHNICAL DATA
 Frequency: 266 Hz
 Sound Pressure Level (dB(A) at 1 meter): 136.5dB
 Sound Pressure Level (1/3 octave at 1 meter): 132dB
 Air Consumption: approx. 21 CFM @ 150 P.S.I.
 Air Pressure Req./A: N/A
 Electric Power: N/A
 Material: Spun Brass & Cast Bronze
 Net Weight: 12.00 Lbs.
 Shipping Weight: 15.00 Lbs.

Price: \$ U.S.D. Net. Ea.
 (Valid for 60 days, F.O.B. Two Rivers, WI, U.S.A.)

Kahlenberg's
 KAHLBERG BROS. CO. TWO RIVERS, WI. U.S.A.

**MODEL S-2
 AIRHORN**

DATE	DRWG. NO.	REV.
04/11/01	3-6093	