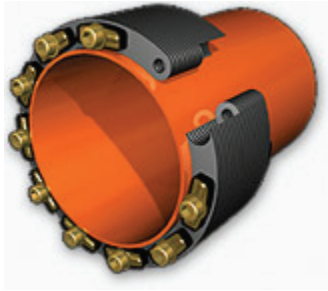
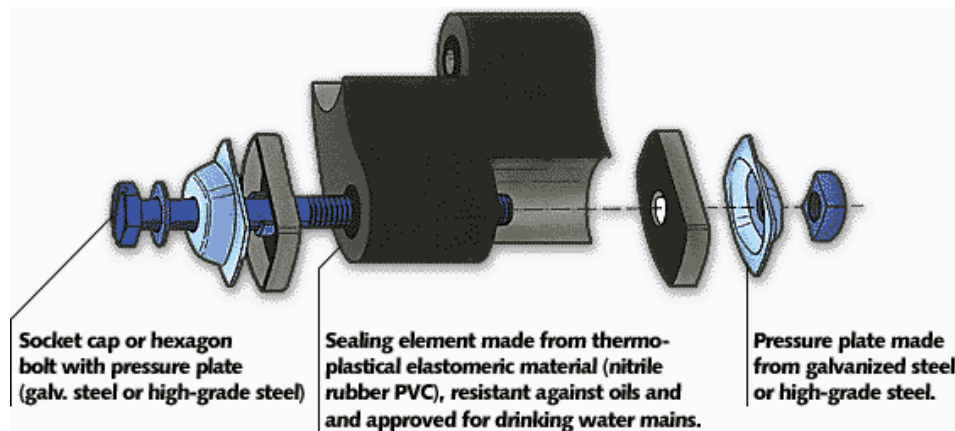


Register 8 bst Link Seal System



The **bst Link Seal System** is a very flexible and adaptable modular system for the gas-, water- and pressure-tight sealing of round pipes of any kind or also of single cable penetrations. The assembly is easy and can also be done subsequently. With the large range of 17 different types of Link Seal elements pipes in diameters between 12,7mm and over 1000 mm can be sealed.



Characteristics

Supporting and centering of carrier pipe, electrical insulation, absorption of impact-, noise- and vibration stress, compensation of measure deviations and tolerances, long service life.

Fire Protection when Sealing Synthetic Pipes

By combining the bst Link Seal System with the **bst-Fire Stop Collar** aside from the gas- and water-tightness also fire resistance R90 (F90) can be achieved.

Application

Explosion areas, CD shelters, ground water, military units, heating-, ventilation- and sewage systems, measuring and controlling techniques, water storage systems (KTW approval for drinking water), etc.

Register 8

bst Link Seal System

Quality of Material

Type "C": standard! Black EPDM rubber, fittings made from synthetic material or galvanized steel.

Type "S": Black EPDM rubber, fittings made from synthetic material or high-grade steel V4A (AISI 316Ti).

Type "OC": Oil resistant nitrile rubber, green, fittings made from synthetic material or galvanized steel.

Type "OCS": Oil resistant nitrile rubber, green, fittings made from synthetic material or high-grade steel V4A (AISI 316Ti).

Type "T": temperature resistant silicone rubber, grey, fittings made from synthetic material or galvanized steel.

bst Link Seal Types

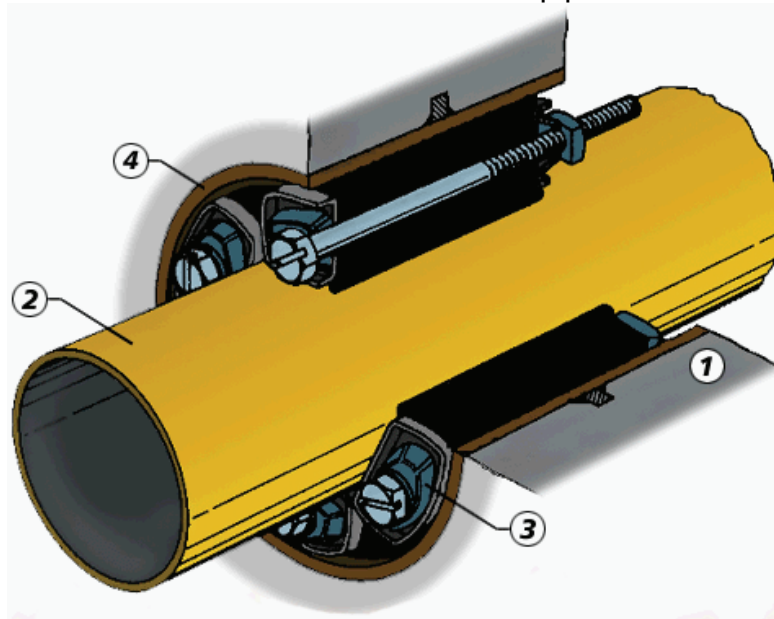
bst Link Seal	Sealing range	Circular arc length	Installation depth	Bolts			Head of bolt	Weight kg
				ømm	length	width		
Type	mm	mm	mm					kg
LS-200	12,5-16	30,5	64	M5	60	4	socket cap	0,04
LS-250	15,5-20	28,8	64	M5	60	4	socket cap	0,04
LS-300	17-23	40,3	90	M8	85	6	socket cap	0,1
LS-315	20,5-27	37,5	90	M8	85	6	socket cap	0,11
LS-325	24,5-33	77,0	101	M8	95	13	hexagon	0,25
LS-350	24,5-33	41,9	101	M8	95	13	hexagon	0,16
LS-375	31,5-40	55,5	101	M8	95	13	hexagon	0,23
LS-400	36,5-46	93,0	136	M10	130	17	hexagon	0,6
LS-415	36,5-46	68,0	136	M10	130	17	hexagon	0,46
LS-425	28,5-38	93,0	136	M10	130	17	hexagon	0,48
LS-450	40,5-51	92,0	136	M10	130	17	hexagon	0,66
LS-465	31,5-40	93,0	136	M10	130	17	hexagon	0,52
LS-475	40,4-51	68,0	136	M10	130	17	hexagon	0,52
LS-500	58,5-72	99,0	151	M12	140	19	hexagon	1,07
LS-525	48,5-60	99,0	151	M12	140	19	hexagon	0,96
LS-600	81,0-100	101,0	151	M12	140	19	hexagon	1,54
LS-650	70,5-84	104,0	151	M12	140	19	hexagon	1,43
								Sizes in mm

Register 8 bst Link Seal System

Application

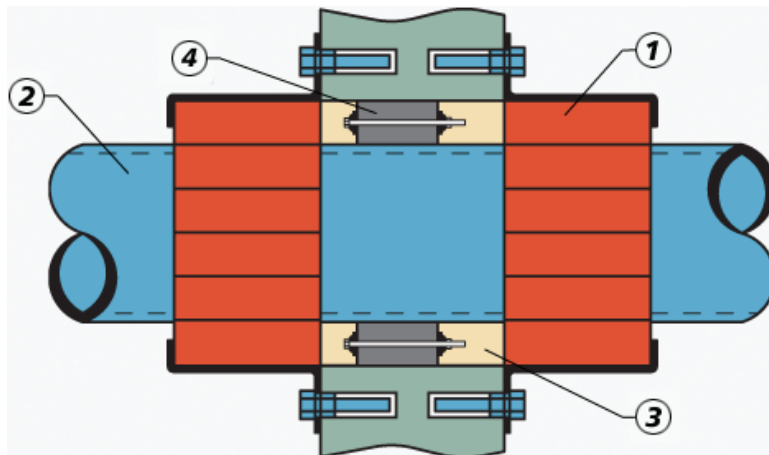
Installation of bst Link Seal System in Walls and Floors

bst Link Seal in core hole or sleeved pipe.



- 1.] Wall or Floor
- 2.] Pipe
- 3.] bst Link Seal
- 4.] Sleeved Pipe

By combining the bst-Link Seal System with the bst-Fire Stop Collar (see Register 4) aside from the gas- and water tightness also fire resistance R90 (F90) can be achieved.



- 1.] bst Fire Stop Collar "BSM"
- 2.] Synthetic Pipe
- 3.] Fire Stop Mortar
- 4.] bst Link Seal