

Xenon Searchlight 200 watt

This Searchlights are designed for use on Yachts and Small Patrol Craft

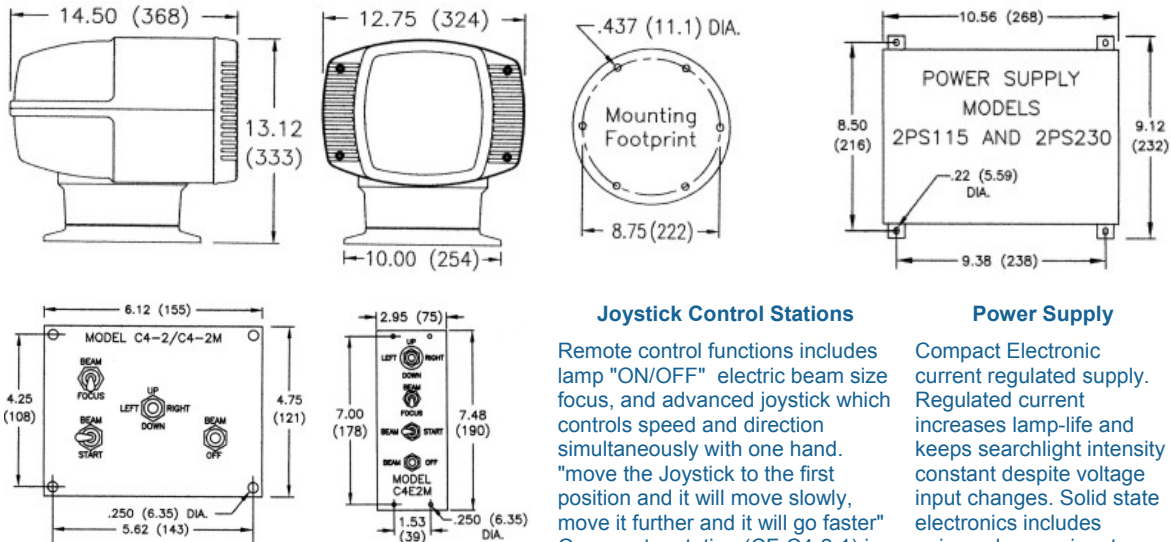
15 Million Candlepower



Distant Electric Control

- 15 million Candlepower
- 200 watt xenon lamp
- Remote electric beam-size focus
- Advanced joystick combines simultaneous speed and aiming control with one hand
- Advanced electroformed precision optic, made of virtually indestructible nickel, produces a 1 degree beam collimation
- Unique slip-ring and brush design provides continuous unlimited horizontal motion with no stops
- Upside down mounting option
- Detachable Infrared filter provides covert surveillance
- Marine aluminum and stainless steel
- Scratch resistance White powder coat finish
- Voltages: 115vac or 230vac

Dimensional Data



Joystick Control Stations

Remote control functions includes lamp "ON/OFF" electric beam size focus, and advanced joystick which controls speed and direction simultaneously with one hand. "move the Joystick to the first position and it will move slowly, move it further and it will go faster" One master station (CF-C4-2-1) is required with each system, and any number of slave stations can be added. Indoor console flush mounted slave (CF-C4-2M-1) outdoor console flush mounted slave (CF-C4E2m-1-1) outdoor slave station in weatherproof box (CF-C4E2M)

Power Supply

Compact Electronic current regulated supply. Regulated current increases lamp-life and keeps searchlight intensity constant despite voltage input changes. Solid state electronics includes universal power input feature, providing 115VAC and 230VAC inputs on the same printed circuit board.



Specifications not guaranteed and subject to change without notice

Xenon Searchlight 200 watt

This Searchlights are designed for use on Yachts and Small Patrol Craft

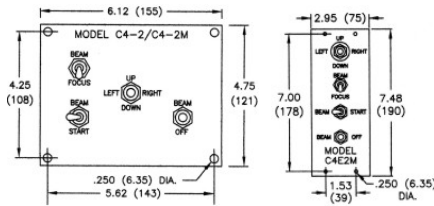
Distant Electric Controls



CF-C4-2-1, CF-C4-2M-1, CF-C4E2M-1

Joystick Control Stations: Remote control functions include Lamp "ON/OFF", "Electric Beam Size Focus Start and Off", and advanced "Joystick" which controls speed and direction simultaneously with one hand. (move the joystick to the first position and it will move slowly, move it further and it will go faster) One Master Station CF-C4-2-1 is required with each system.

Additional Control Stations: To the CF-C4-2-1 can be added one or more slave stations. CF-C4-2M-1 is the indoor model for slave stations, CF-C4E2M-1-1 is the weatherproof model for slave stations flush mounted in a panel. CF-C4E2M is an outdoor slave station mounted in a weatherproof box.



Ordering your 200 watt Xenon Searchlight

Description	Part Numbers
	White
Distant Electric standard	CF-XY2EDE-RF
Distant Electric Base Up	CF-XY2EDE-BURF

Add the following to searchlight	
Description	Part No.
Power supply 115vac 1 ph	CF-2PS115
Power supply 230vac 1 ph	CF-2PS230
Control Stations	
Master station flush mount	CF-C4-2-1
Slave station indoor flush mnt	CF-C4-2M-1
Slave stn outdoor flush mnt	CF-C4E2M-1-1
Slave stn outdoor wx-proof bx	CF-C4E2M

To order a complete searchlight you must select the basic searchlight part number, plus a power supply part number, and a control station part number. You should also include a written description of the searchlight system as you envision it. This ensures that all components are ordered -- i.e. 200w xenon distant electric control, colour white, 230vac power supply with two indoor control stations. CF-XY2EDE-RF + CF-2PS230 + CF-C4-2-1 + CF-C4-2M-1. -- . i.e. 200w xenon to be mounted bottom up, colour white, 115vac power supply, with a single indoor control station. CF-XY2EDE-BURF + CF-2PS115 + CF-C4-2-1 --

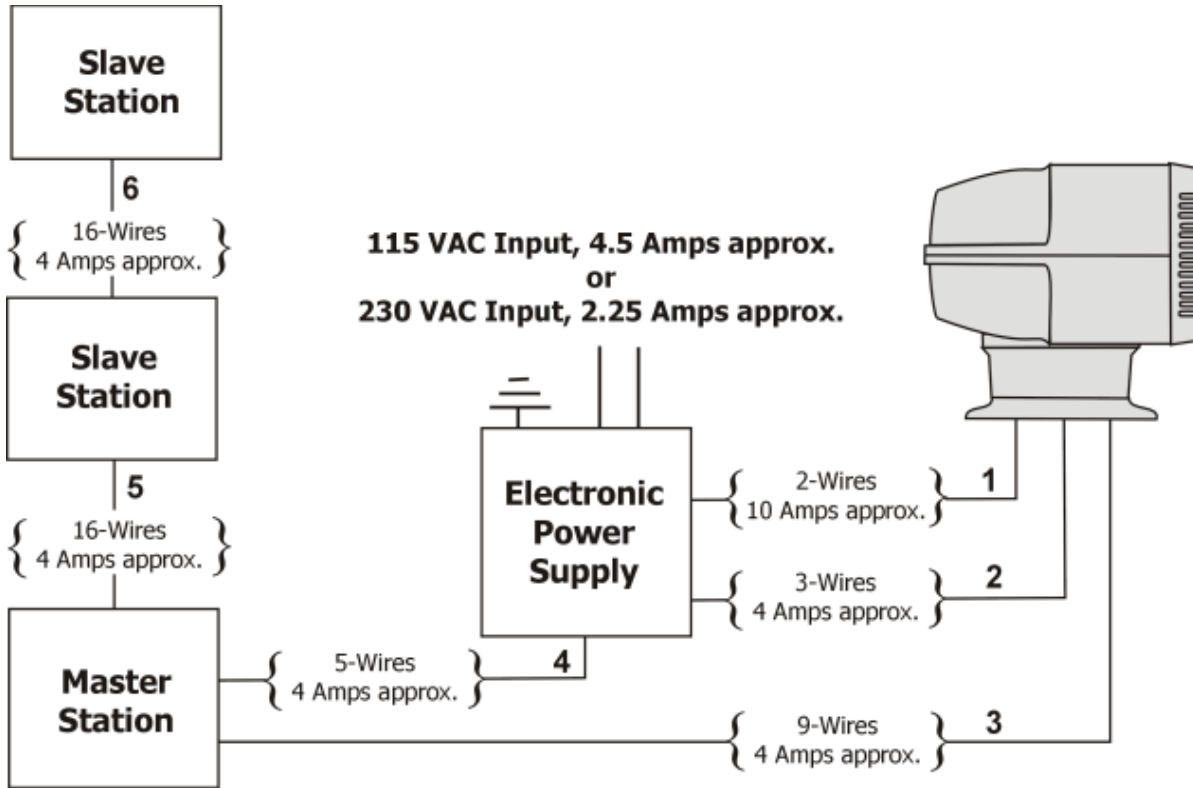


Specifications not guaranteed and subject to change without notice

Xenon Searchlight 200 watt

This Searchlights are designed for use on Yachts and Small Patrol Craft

Distant Electric Searchlight Wiring



Note: Cables 1 and 2 are supplied by the factory and extend approximately 3 meters out of the base, with the ends stripped bare. All other cables (3, 4, 5, and 6) are supplied by the customer or installer, One master station is required for each searchlight, and any number of Slave Control Stations can be added. DC amperes flow through cable 1. The power supply should be located as close as practical to the searchlight, so as to minimize the voltage drop which can cause the xenon lamp to go out. Ampere values are approximate... size wires with respect to Load, Distance, Temperature, and Local Electrical Codes and Laws. Consult wiring diagram supplied with each searchlight, prior to connecting wires to the searchlight, power supply and control stations



Specifications not guaranteed and subject to change without notice